

WIZnet
TOP IoT

P5

P2

- R6
- R5
- R1
- R2
- C1
- R4
- R3

Designed by WIZnet
<http://wizwiki.net>
ETHERNET V1.0

ECO SHIELD

WIZwiki-M7500 ECO

mbed

C2

C4

P3

35

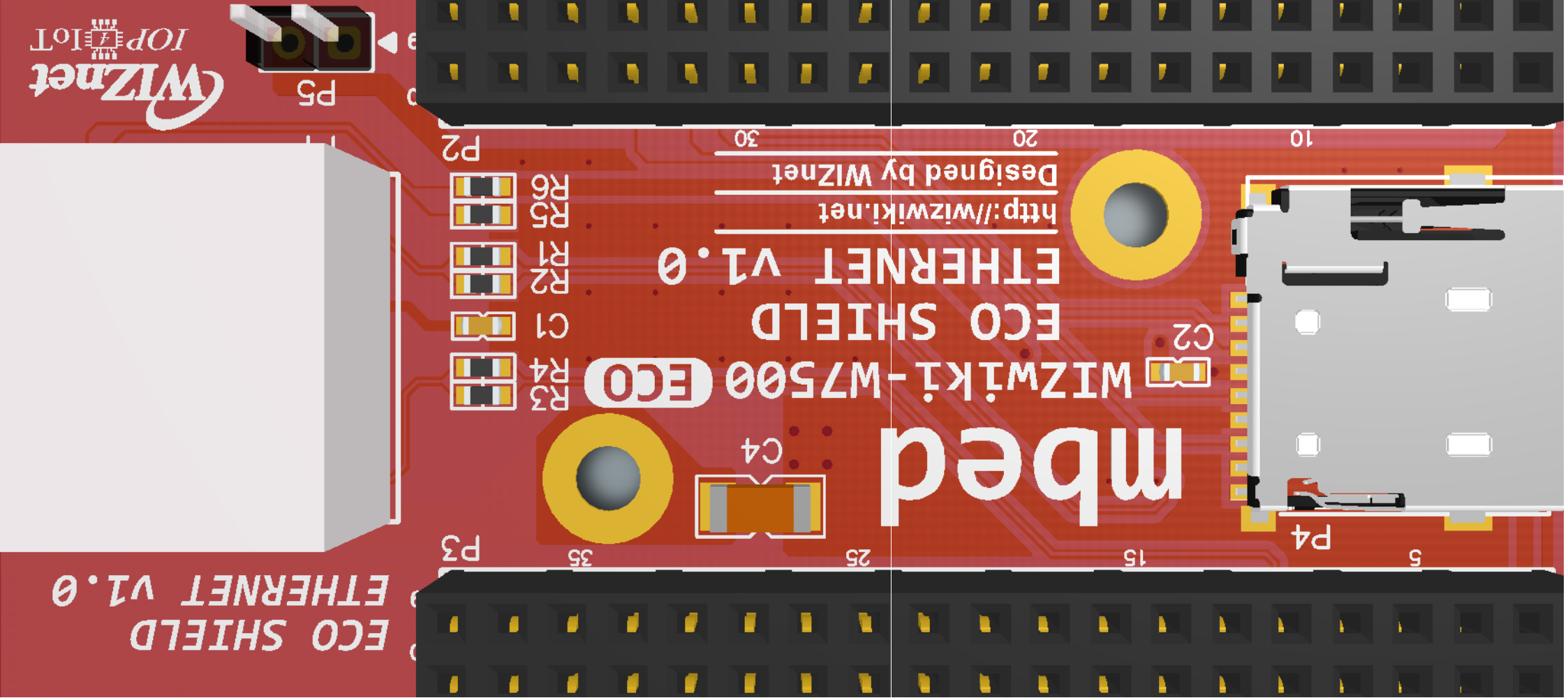
25

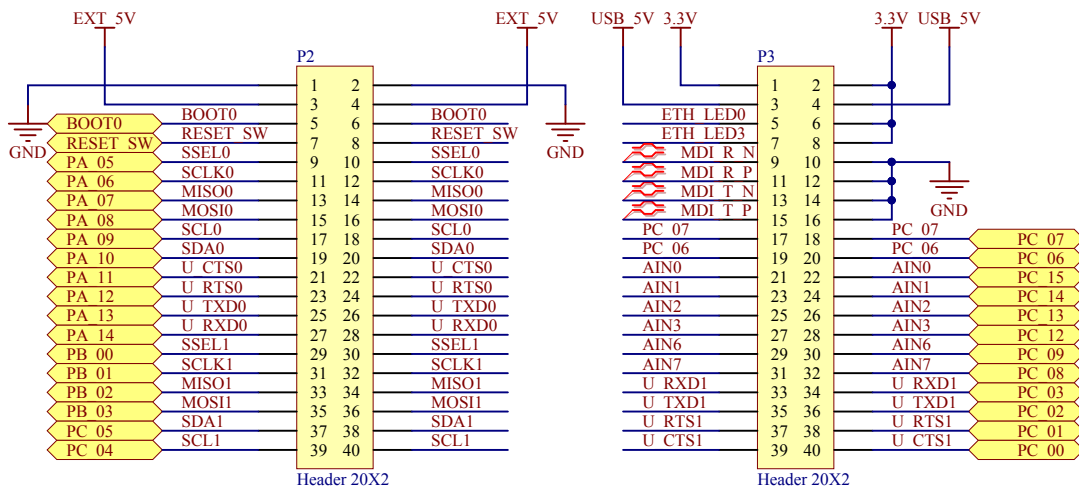
15

P4

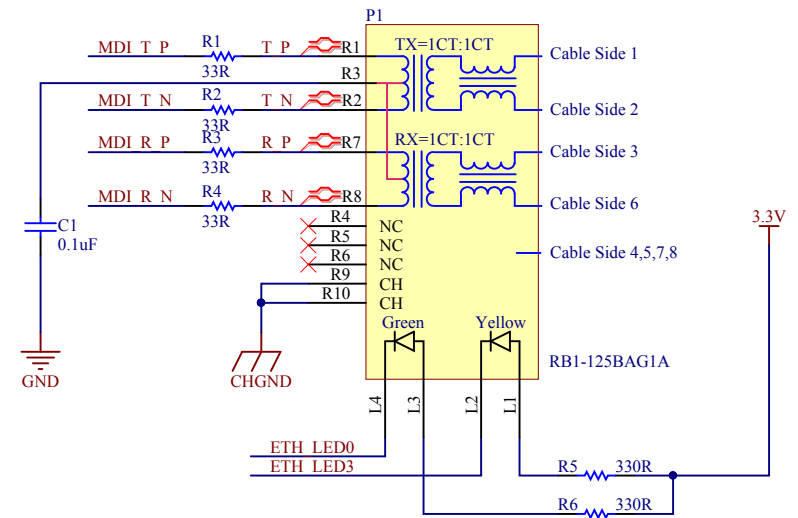
5

ECO SHIELD
ETHERNET V1.0

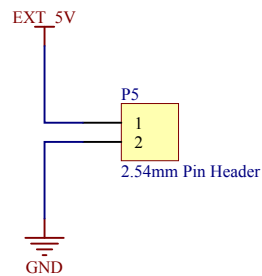




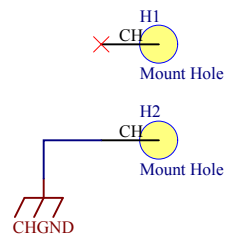
WIZwiki-W7500eco Baseboard Pin Header



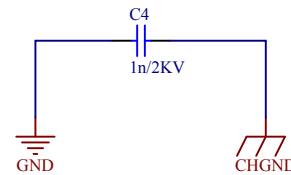
RJ-45 Magnetic and LED



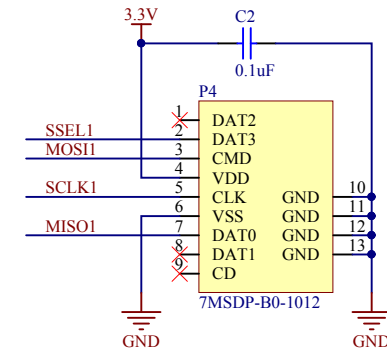
External VCC 5V



Mount Holes



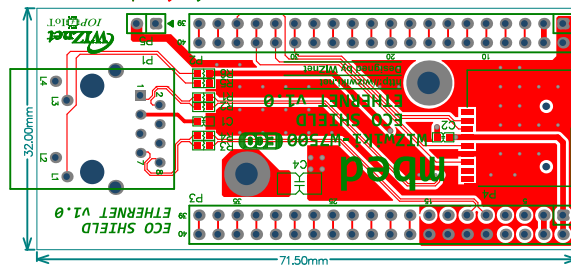
Discharge path for ESD Protection



MINI SDCARD SLOT

Title		
WIZwiki-W7500ECO Shield Ethernet		
Size	Number	Revision
A4	ECO Shield Ethernet	V1.0
Date:	2015-09-08	Sheet of
File:	F:\WORK\...01 Shield Ethernet V1.0.Sch	Drawn By: Peter-TeamWiki

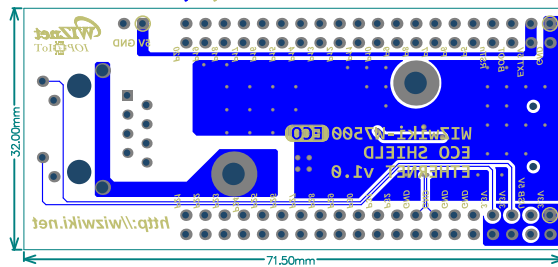
BOARD NAME : WIZwiki-W7500ECO Shield Ethernet
VERSION : V1.0
SIZE : 32mmX71.5mmX1.6T
GERBER DATE : 2015.09.08
LAYER : Top Overlay



Layer Stack Up Detail for :
WIZwiki-W7500ECO
Shield Ethernet V1.0.PcbDoc
Layer Name : 2L 1.6T
Top Layer
Bottom Layer

KS-TECH artwork

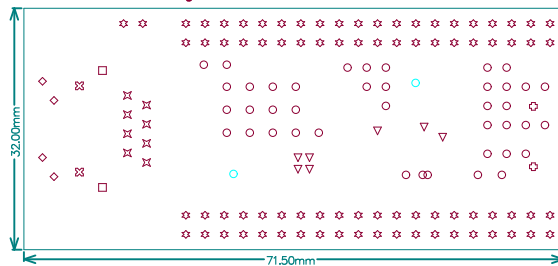
BOARD NAME : WIZwiki-W7500ECO Shield Ethernet
VERSION : V1.0
SIZE : 32mmX71.5mmX1.6T
GERBER DATE : 2015.09.08
LAYER : Bottom Layer



Layer Stack Up Detail for :
WIZwiki-W7500ECO
Shield Ethernet V1.0.PcbDoc
Layer Name : 2L 1.6T
Top Layer
Bottom Layer

KS-TECH artwork

BOARD NAME : WIZwiki-W7500ECO Shield Ethernet
 VERSION : V1.0
 SIZE : 32mmX71.5mmX1.6T
 GERBER DATE : 2015.09.08
 LAYER : Drill Drawing



Symbol	Hr Count	Tool Size	Plated	Hole Type
o	41	12mil (0.305mm)	PTH	Round
v	7	20mil (0.508mm)	PTH	Round
o	4	35.039mil (0.89mm)	PTH	Round
x	8	35.433mil (0.9mm)	PTH	Round
o	82	36mil (0.914mm)	PTH	Round
o	2	36.27mil (0.92mm)	PTH	Round
o	2	62.892mil (1.6mm)	PTH	Round
o	2	118.11mil (3mm)	PTH	Round
o	2	127.953mil (3.25mm)	PTH	Round
150 Total				

Layer Stack Up Detail for :
 WIZwiki-W7500ECO
 Shield Ethernet V1.0.PcbDoc
 Layer Name : 2L 1.6T
 Top Layer
 Bottom Layer

KS-TECH artwork