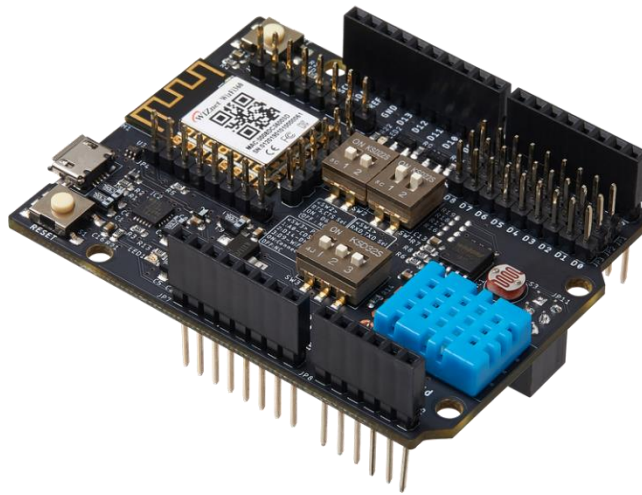


WizFi360-EVB Datasheet

(Version 1.0)



© 2019 WIZnet Co., Ltd. All Rights Reserved.

For more information, please visit our website at <http://www.wiznet.io/>

Document Revision History

Version	Date	Revision Description
1.0	2019/07/25	Official Release

Contents

1. Overview	4
2. Features	4
2.1 WizFi360	4
2.2 ETC	4
3. Blockdiagram	5
4. Callout	6
5. Board Configurations	6
5.1 DIP Switch Configuratio	6
5.2 UART Selector Pin Header	7
6. Schematic & Partlist	8
7. Dimension	8

1. Overview

This document describes WizFi360-EVB. WizFi360-EVB is a development board for experiment, test and verification of WizFi360. WizFi360-EVB can also be used as an Arduino shield.

WizFi360 is a low cost and low-power consumption industrial-grade WiFi module. It is compatible with IEEE802.11 b/g/n standard and supports SoftAP, Station and SoftAP+Station modes. The serial port baud rate can be up to 2Mbps, which can meet the requirement of various applications.

2. Features

2.1 WizFi360

- WiFi 2.4G, 802.11 b/g/n
- Support Station / SoftAP / SoftAP+Station operation modes
- Support “Data pass-through” and “AT command data transfer” mode
- Support serial AT command configuration
- Support TCP Server / TCP Client / UDP operating mode
- Support configuration of operating channel 0 ~ 13
- Support auto 20MHz / 40MHz bandwidth
- Support WPA_PSK / WPA2_PSK encryption
- Serial port baud rate up from 600bps to 2Mbps with 16 common values
- Support up to 5 TCP / UDP links
- Obtaining IP address automatically from the DHCP server (Station mode)
- DHCP service for Wireless LAN clients (AP mode)
- Support DNS for communication with servers by domain name
- Support “Keep-Alive” to monitor TCP connection
- Support “Ping” for monitoring network status
- Built-in SNTP client for receiving the network time
- Support built-in unique MAC address and user configurable
- Support firmware upgrade by UART Download / OTA (via WLAN)
- Industrial grade (operating temperature range: -40 ° C ~ 85 ° C)
- CE, FCC certification

2.2 ETC

- Built-in UART to USB chip
 - CP2104-GM
 - Micro USB B Type Connector
- UART Selector

- JP1, JP2, JP3
- 2.54mm Pin Header
- Built-in Sensors
 - Temperature/Humidity Sensor: DHT11
 - CDS Sensor: GL5537
- Built-in Tact Switches
 - System Reset Switch: S1
 - WiFi Reset Switch: S2
- Built-in LED Indicators
 - D13 LED
- Built-in Level Shifters
 - The voltage of the RXD/TXD signal changes according to the main board platform voltage.
- Built-in DIP Switches
 - UART RXD/TXD Selector: SW1
 - UART RTS/CTS Selector: SW2
 - Sensor/RESET Pins Selector: SW3

3. Blockdiagram

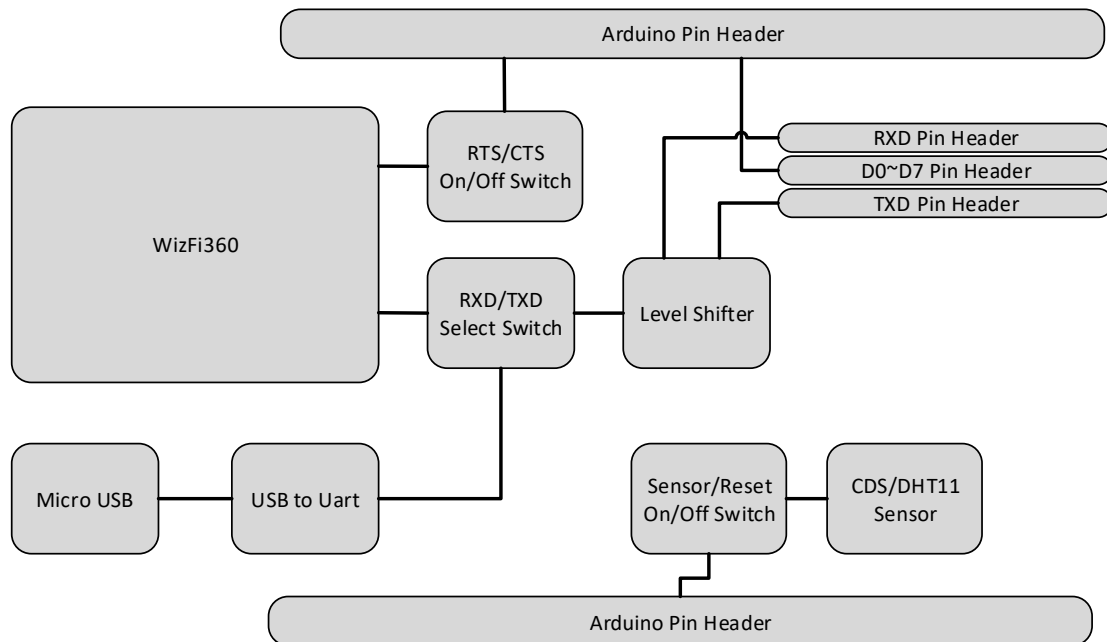
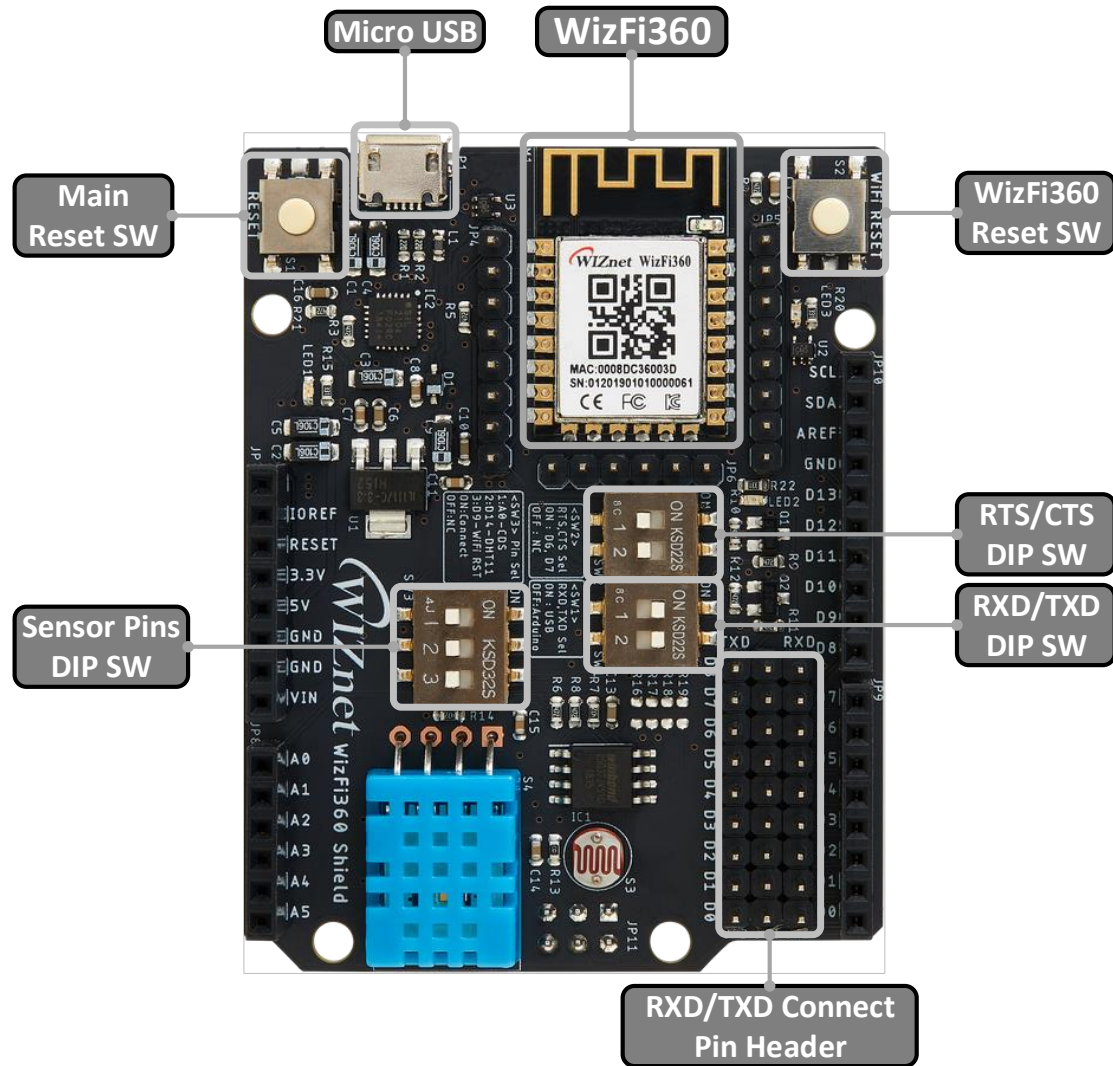


Figure 1. WiFi360-EVB Blockdiagram

4. Callout



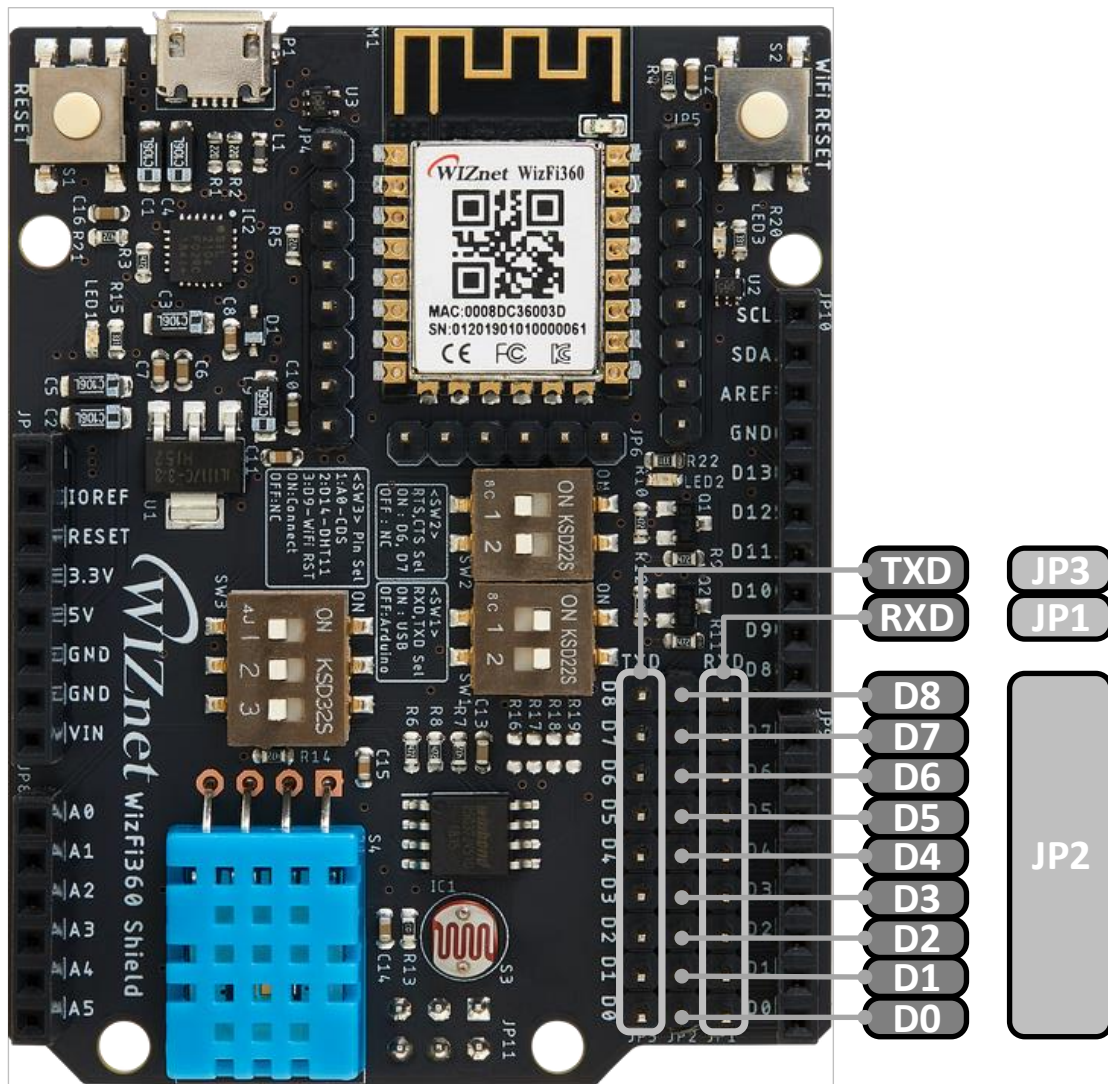
5. Board Configurations

5.1 DIP Switch Configurations

- **SW1** – RXD/TXC Selector DIP Switch
 - **ON:** RXD/TXD of WizFi360 connect to USB
 - ◆ It is only possible to communicate with WizFi360 using USB.
 - **OFF:** RXD/TXD of WizFi310 connect to JP1 and JP3
 - ◆ UART Pin Header, Arduino PIN
 - ◆ If the jumper cap is not attached to the UART pin header, it will not be connected to the arduino pin.
 - Pin 1: RXD
 - Pin 2: TXD
- **SW2** – RTS/CTS Selector DIP Switch
 - **ON:** RTS/CTS of WizFi360 connect to D6 and D7

- ◆ If the state of SW5 is ON, D6 and D7 of UART jumper can not be used.
- OFF: RTS/CTS of WizFi310 not connect to anywhere
- Pin 1: RTS – D6
- Pin2: CTS – D7
- SW3 – Sensor/RESET Pins Selector DIP Switch
 - ON: Connect to Arduino Pin
 - OFF: Not connect to anywhere
 - Pin 1: A0 – CDS
 - Pin 2: D14 – DHT11

5.2 UART Selector Pin Header



You can use the jumper cap to connect the pin header to select the RXD / TXD pin for the Arduino.

- JP1 – WizFi360 RXD
- JP2 – Arduino D0~D7 Pins
- JP3 – WizFi360 TXD

6. Schematic & Partlist

https://github.com/Wiznet/Hardware-Files-of-WIZnet/tree/master/07_WizFi_Module/WizFi360-EVB

7. Dimension

The dimension of WizFi360-EVB is the same as Arduino UNO.

