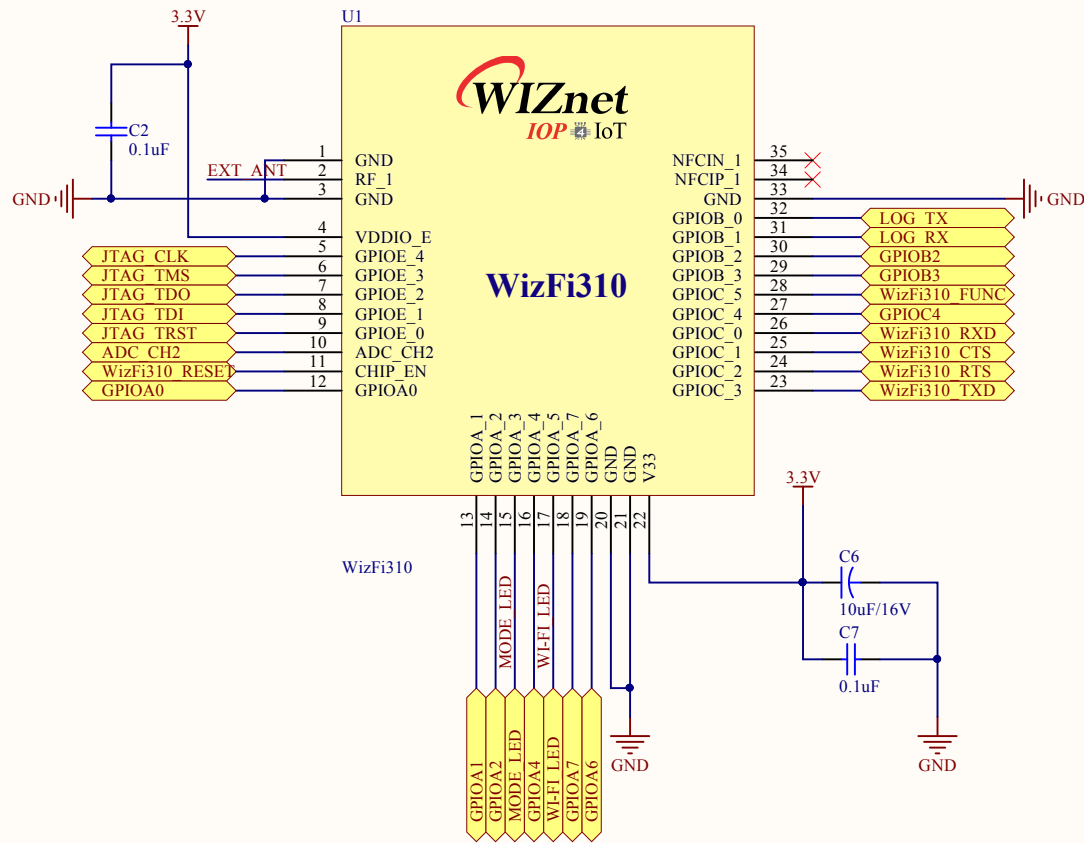
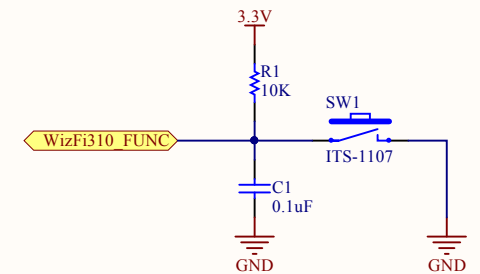


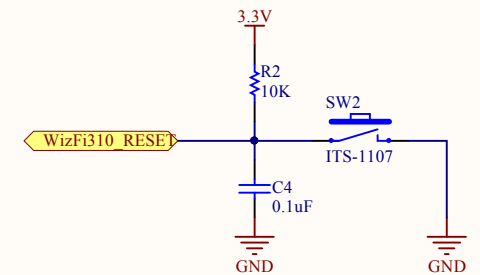
External ANT



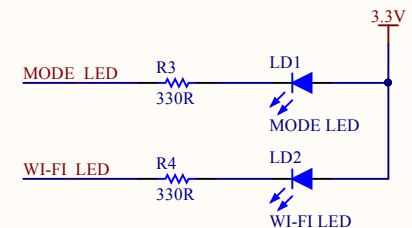
WizFi310



Mode Button

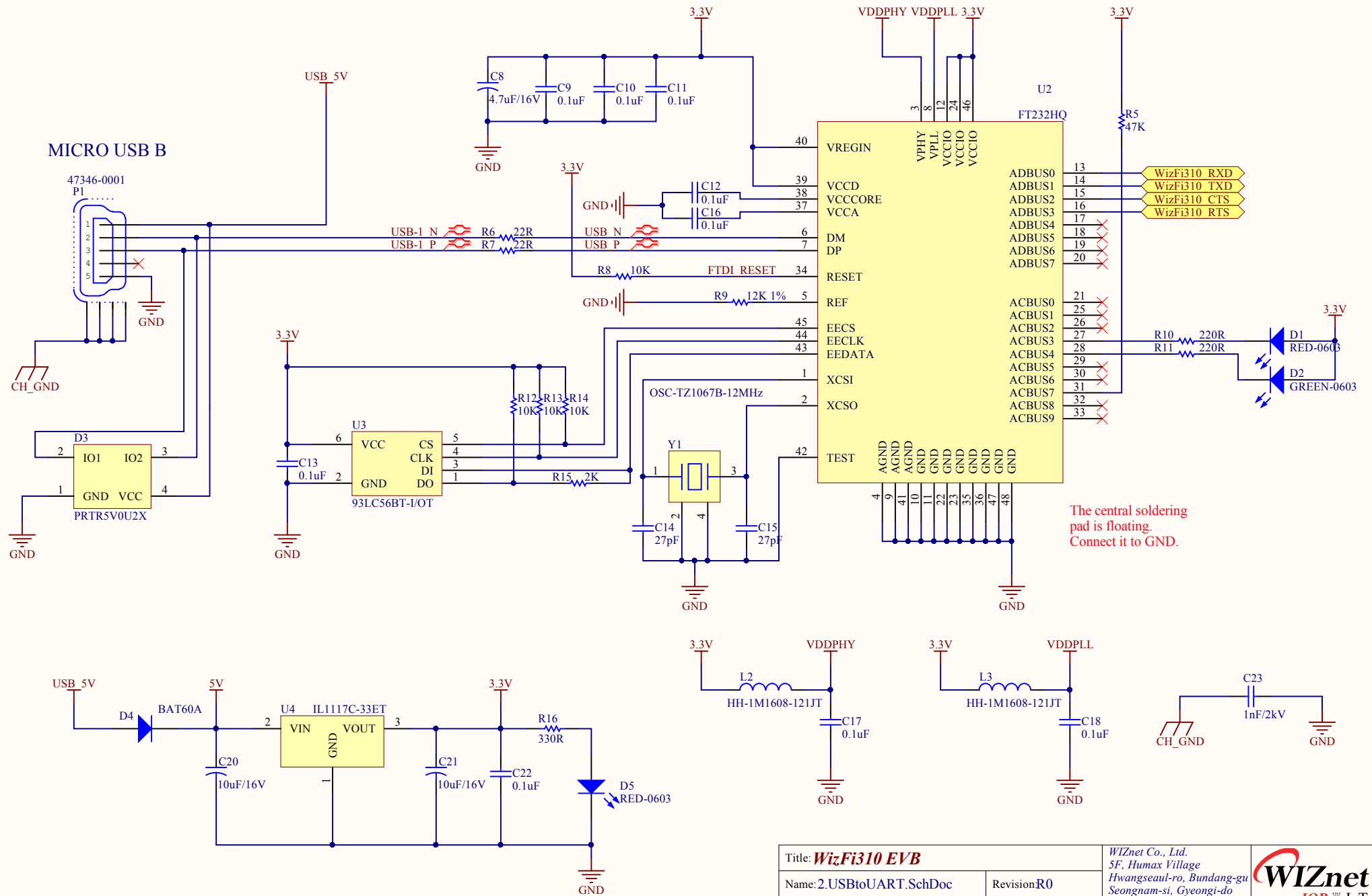


Reset Button



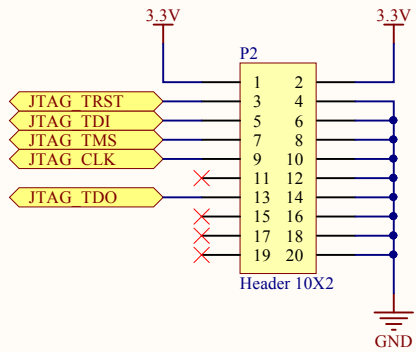
LED Indicator

Title: WizFi310 EVB		WIZnet Co., Ltd. 5F, Humax Village Hwangseaul-ro, Bundang-gu Seongnam-si, Gyeonggi-do South Korea	
Name: 1. WIZF310.SchDoc	Revision: R0		
Date: 2016-06-15	Sheet 1 of 3		
Team: NET	Drawn By: Peter		

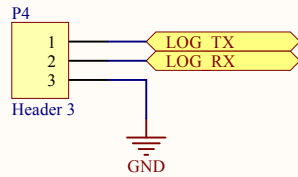


The central soldering pad is floating. Connect it to GND.

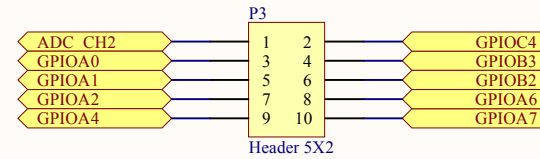
Title: WizFi310 EVB		WIZnet Co., Ltd. 5F, Humax Village Hwangseaul-ro, Bundang-gu Seongnam-si, Gyeonggi-do South Korea	
Name: 2.USBtoUART.SchDoc	Revision: R0		
Date: 2016-06-15	Sheet 2 of 3		
Team: .NET	Drawn By: Peter		



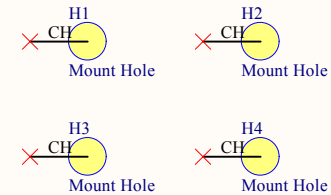
JTAG Interface



DEBUG UART



External GPIO



Mount Hole

Title: WizFi310 EVB		WIZnet Co., Ltd. 5F, Humax Village Hwangseaul-ro, Bundang-gu Seongnam-si, Gyeonggi-do South Korea	
Name: 3.External.SchDoc	Revision: R0		
Date: 2016-06-15	Sheet: 3 of 3		
Team: .NET	Drawn By: Peter		