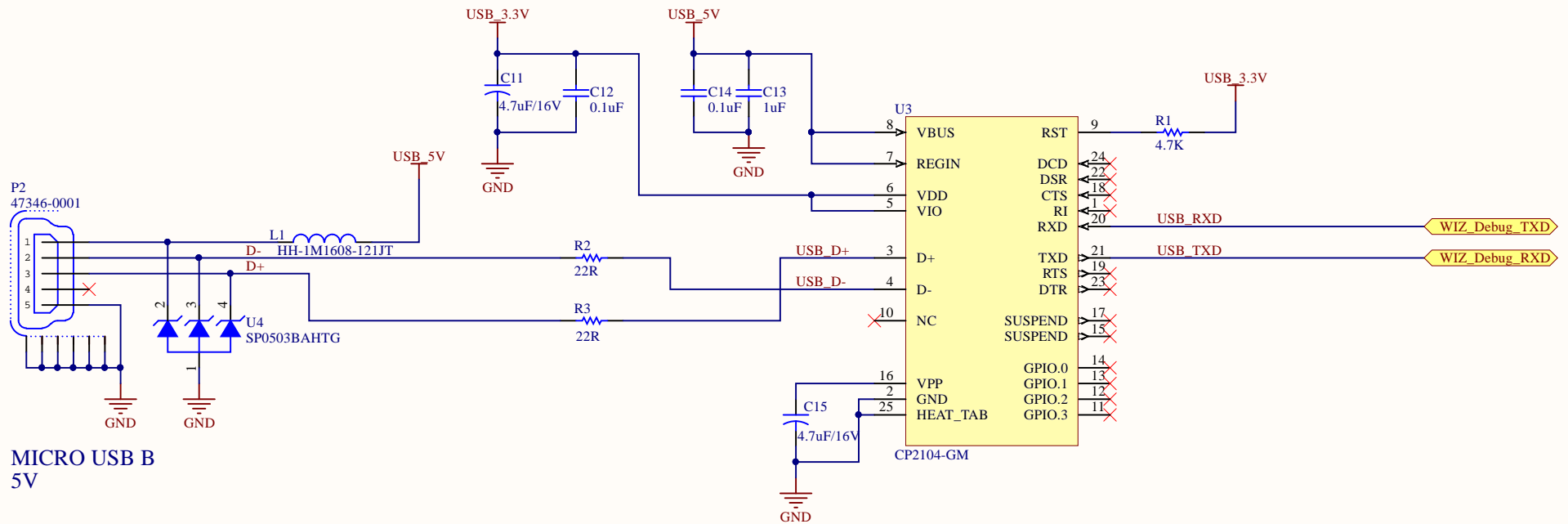


750SR\_TTL Version is 1-2 , 3-4 Short  
 750SR\_RS232 Version is 2-3 Short

J1, J2, J3, J4		
Pin No.	TTL	RS232
1-2	SHORT	SHORT
2-3		SHORT
3-4	SHORT	

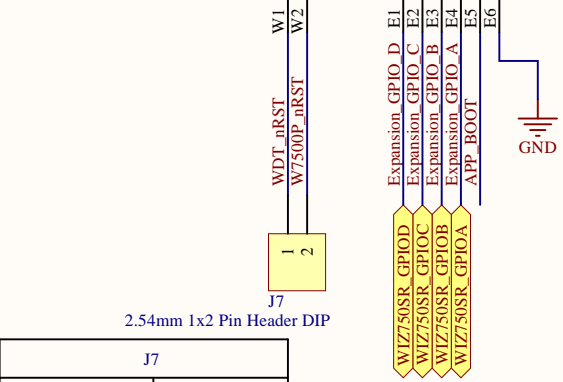
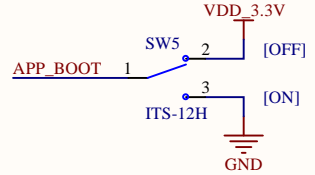
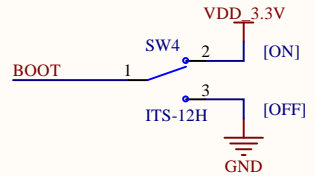
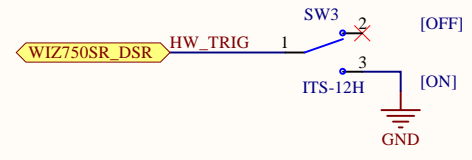
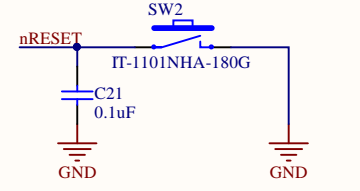
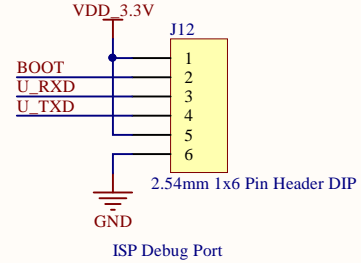
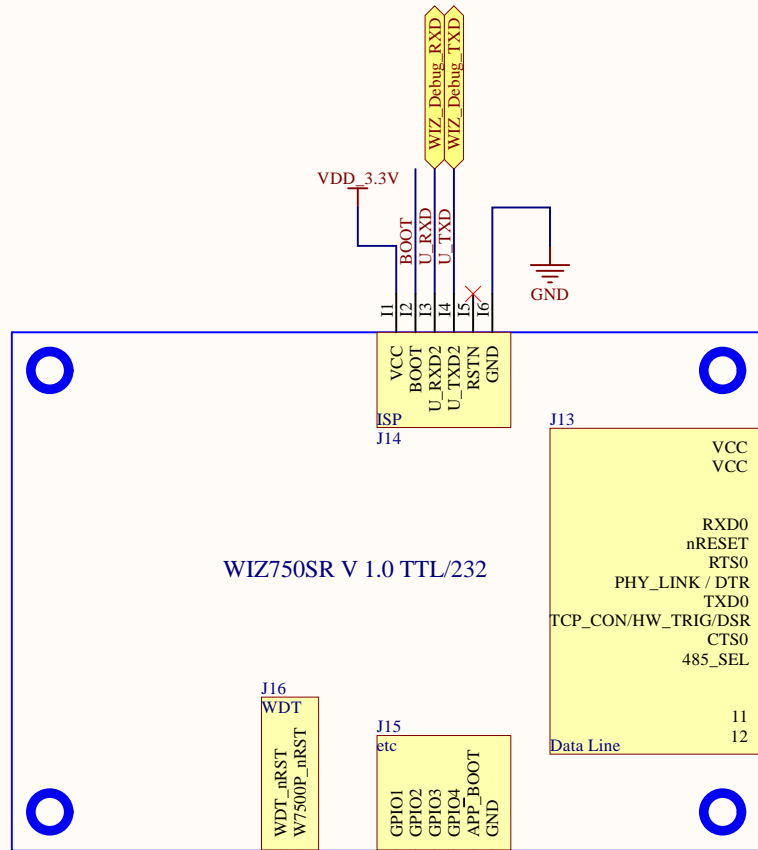
J5, J6		
Pin No.	SHORT	OPEN
J5	DTR	PHY_LINK
J6	DSR	HW_TRIG

Title <b>WIZ750SR_INTER_DATALINE</b>		WIZnet Co., Ltd. 5F, Humax Village Hwangseaul-ro, Bundang-gu Seongnam-si, Gyeonggi-do South Korea		Cannot open file C:\Users\Public\Documents\Altium\AD14\Templates\IOP_IoT logo.png
Size: <b>A4</b>	Number:	Revision: V0.3		
Date: 2016-05-26	Sheet 1 of 4			
Team: Team Wiki		Drawn By: Edward		



MICRO USB B 5V

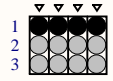
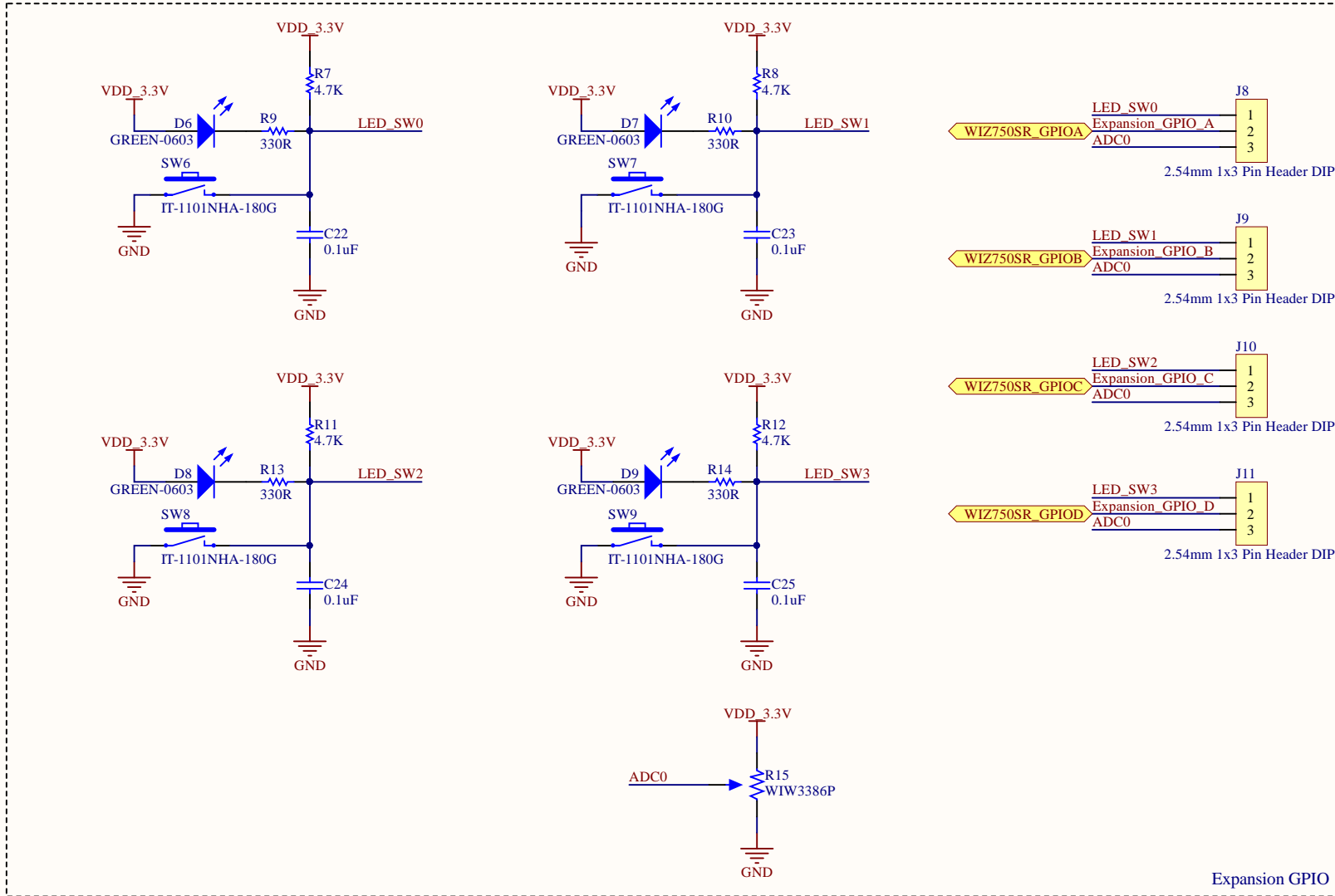
Title: <b>WIZ750SR_INTER_PWR_USB</b>		WIZnet Co., Ltd. 5F, Humax Village		Cannot open file C:\Users\Public\Documents\Altium\AD14\Templates\IOP_IoT logo.png
Size: <b>A4</b>	Number:	Revision: V0.3		
Date: 2016-05-26	Sheet2 of 4		Hwangseaul-ro, Bundang-gu Seongnam-si, Gyeonggi-do South Korea	
Team: Team Wiki		Drawn By: Edward		



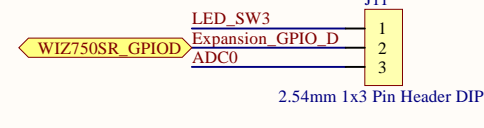
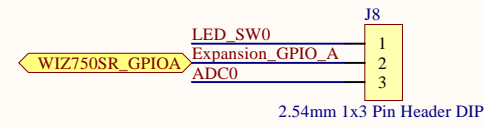
2.54mm 1x2 Pin Header DIP

J7	
SHORT	OPEN
Normal Operation	ISP mode

Title <b>WIZ750SR_INTER_CON</b>		WIZnet Co., Ltd. 5F, Hwang Village Hwangseoul-ro, Bundang-gu Seongnam-si, Gyeonggi-do South Korea		Cannot open file C:\Users\Public\Documents\Altium\AD14\Templates\IOP_IoT logo.png
Size: A4	Number:	Revision: V0.3		
Date: 2016-05-26		Sheet 3 of 4		
Team: Team Wiki		Drawn By: Edward		



J8, J9, J10, J11		
Pin No.	Digital I/O	Analog I/O
1-2	SHORT	
2-3		SHORT



Expansion GPIO

Title <i>WIZ750SR_INTER_ETC</i>			WIZnet Co., Ltd. 5F, Hymax Village Hwangseaul-ro, Bundang-gu Seongnam-si, Gyeonggi-do South Korea	Cannot open file C:\Users\Public\Documents\Altium\AD14\Templates\IOP_IoT logo.png
Size: A4	Number:	Revision: V0.3		
Date: 2016-05-26	Sheet4 of 4			
Team: Team Wiki		Drawn By: Edward		