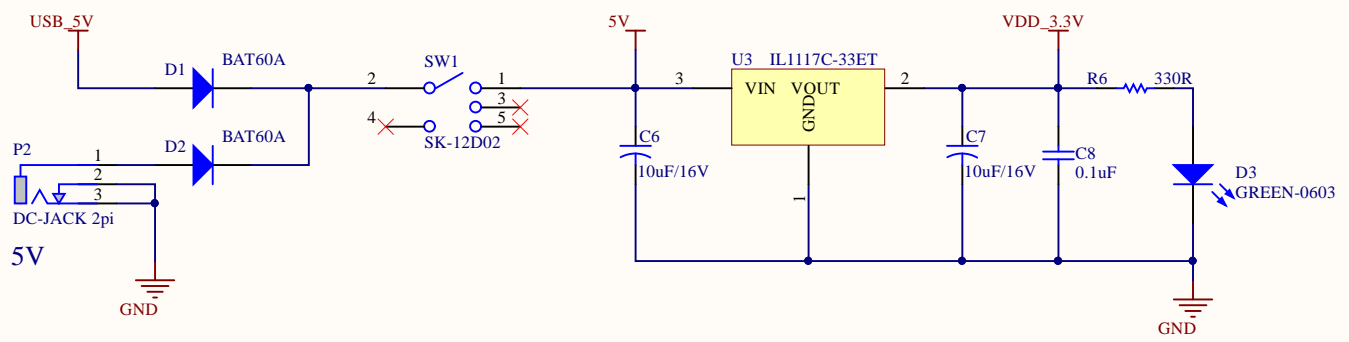
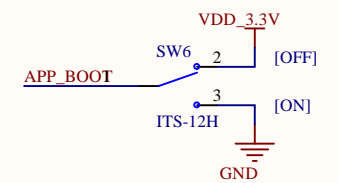
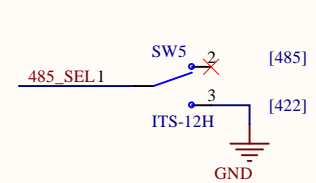
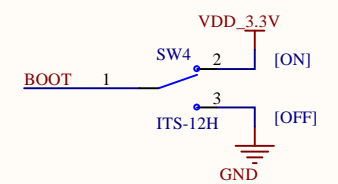
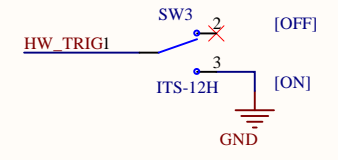
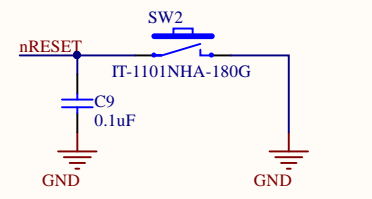
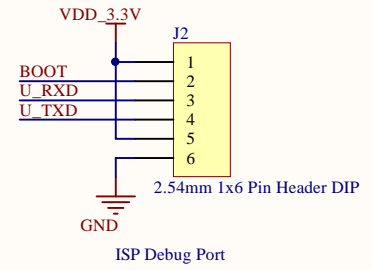
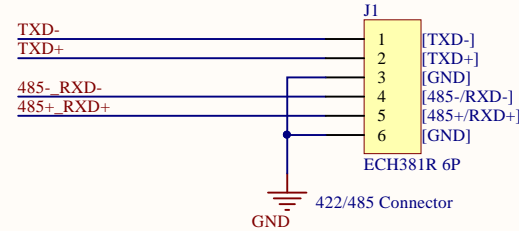
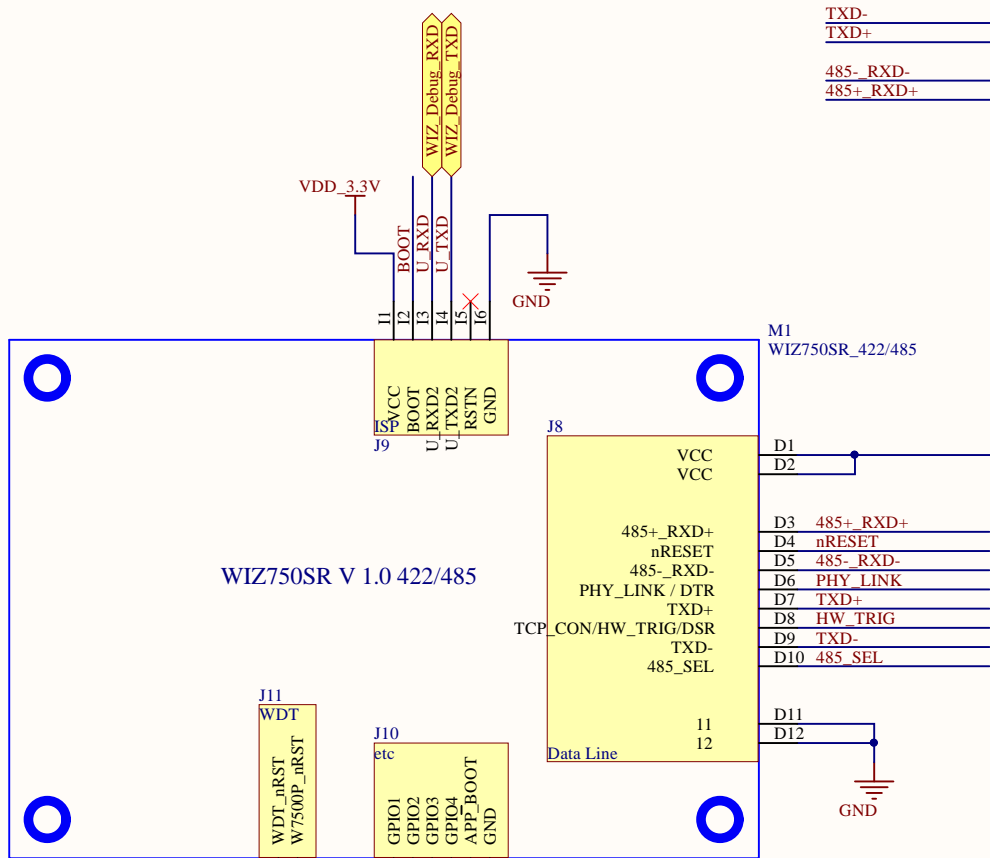


MICRO USB B
5V

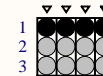
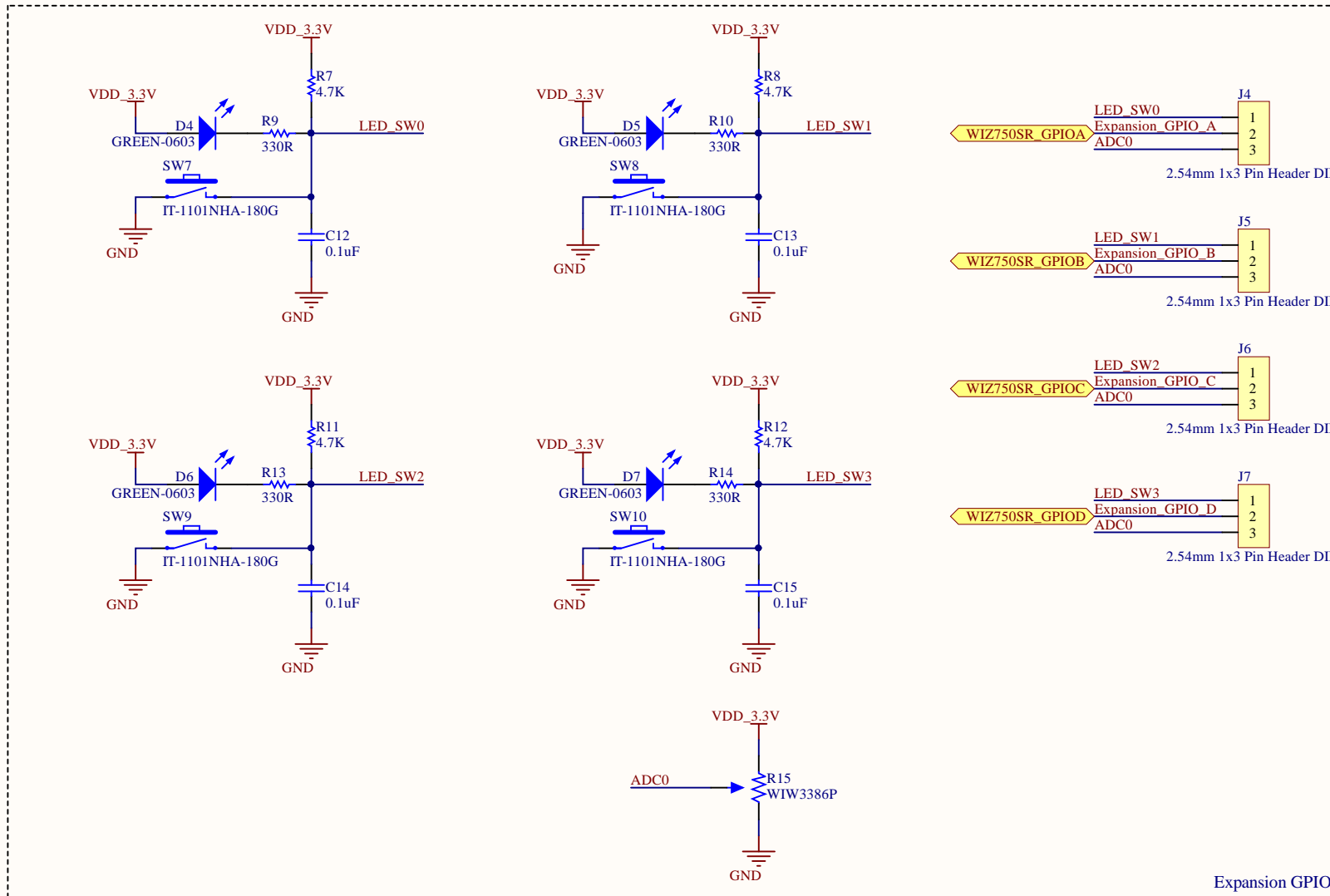


Title <i>WIZ750SR_INTER_PWR_USB</i>		WIZnet Co., Ltd. 5F, Humax Village Hwangseaul-ro, Bundang-gu Seongnam-si, Gyeonggi-do South Korea		
Size: A4	Number:	Revision: V0.2		
Date: 2017-07-11	Sheet 1 of 3			
Team: Team Wiki		Drawn By: Edward		

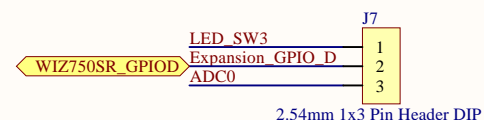


J3	
SHORT	OPEN
Normal Operation	ISP mode

2.54mm 1x2 Pin Header DIP



J4, J5, J6, J7		
Pin No.	Digital I/O	Analog I/O
1-2	SHORT	SHORT
2-3		



Expansion GPIO

Title <i>WIZ750SR_INTER_ETC</i>			WIZnet Co., Ltd. 5F, Humax Village Hwangseaul-ro, Bundang-gu Seongnam-si, Gyeonggi-do South Korea	
Size: A4	Number:	Revision: V0.2		
Date: 2017-07-11	Sheet 3 of 3			
Team: Team Wiki		Drawn By: Edward		