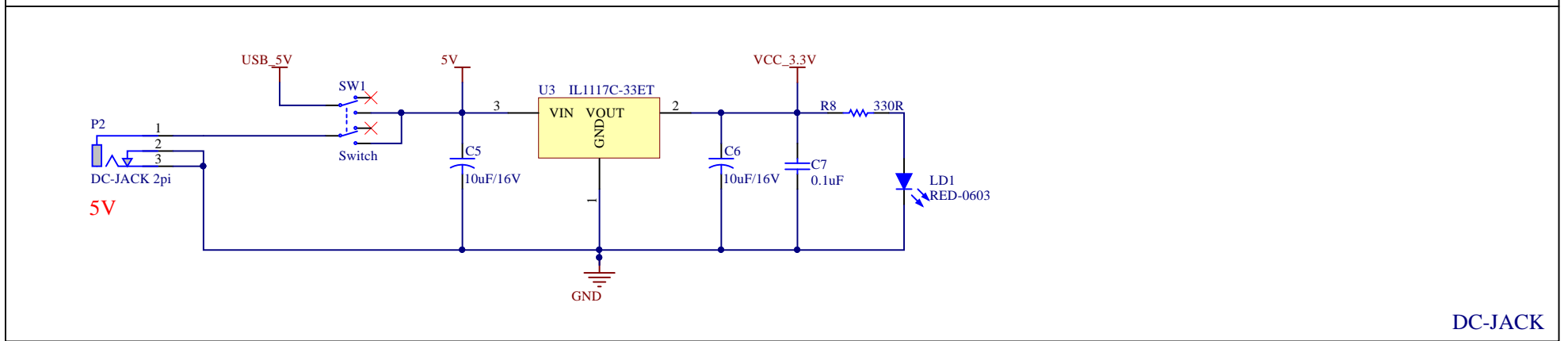
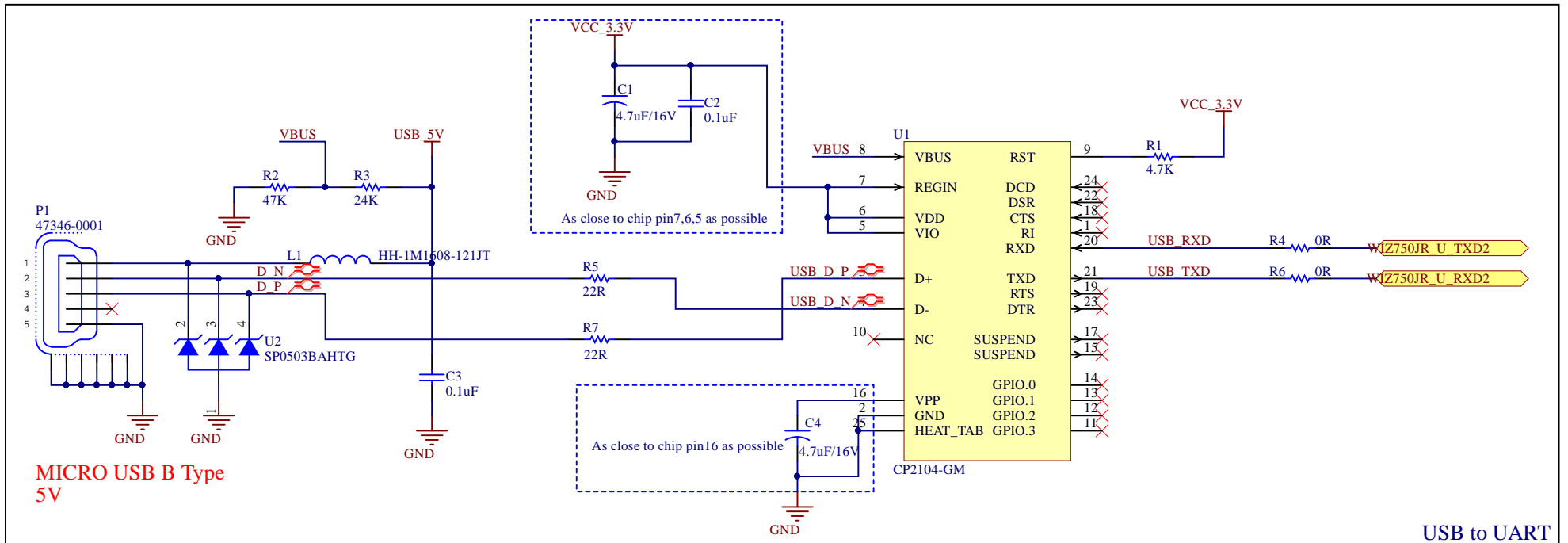
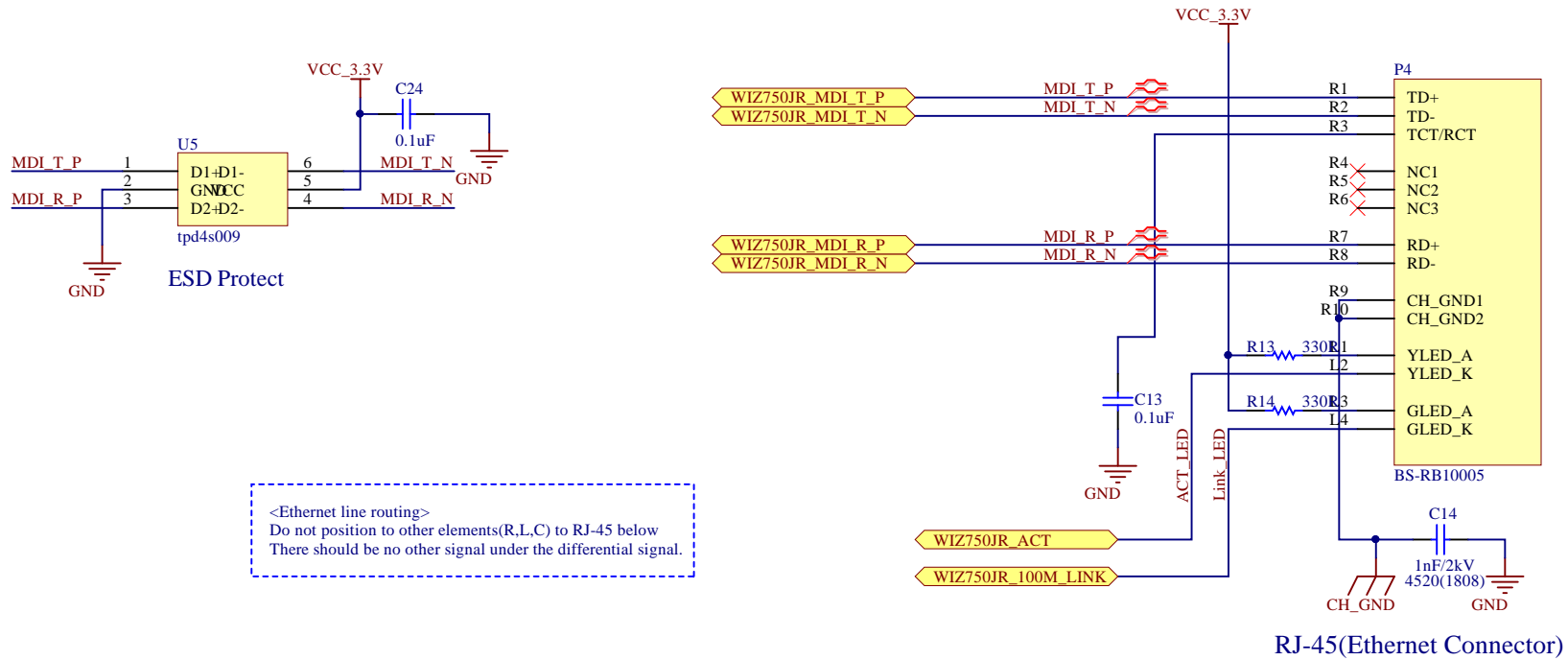
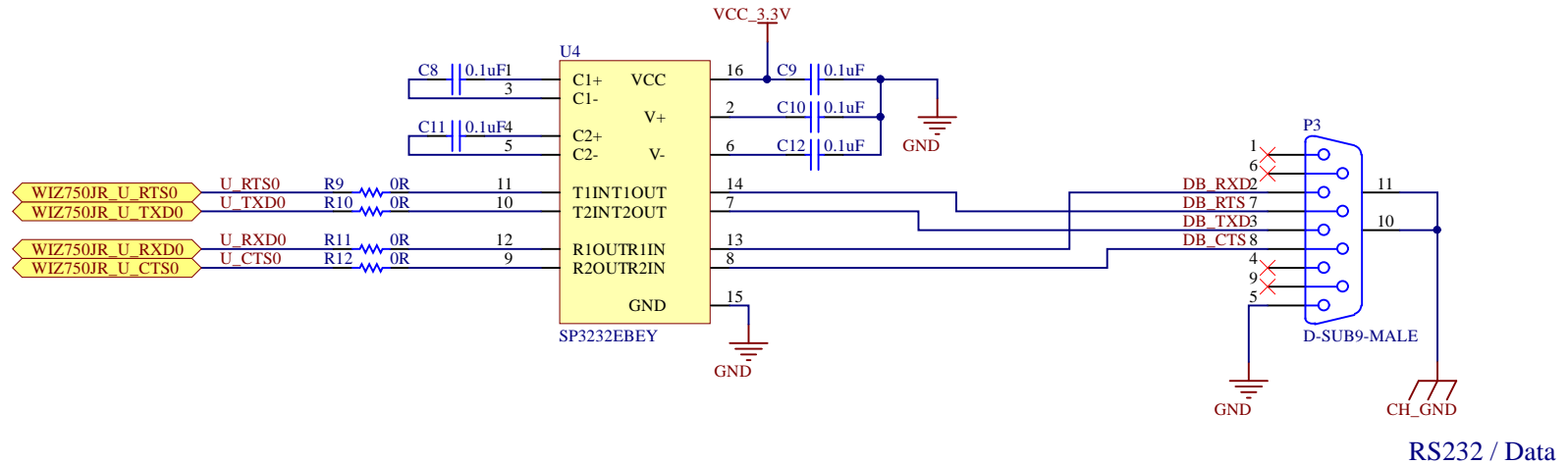


Title *			WIZnet Co., Ltd. 5F, Humax Village Hwangseaul-ro, Bundang-gu Seongnam-si, Gyeonggi-do South Korea	
Size: A4	Number:*	Revision:*		
Date: 2017-12-15	Sheet of			
Team: Team Module	Drawn By: Edward			

# POWER

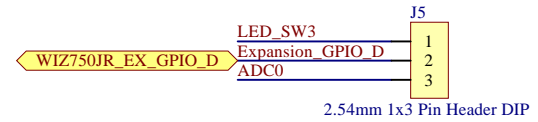
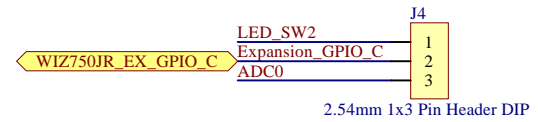
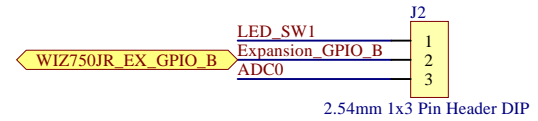
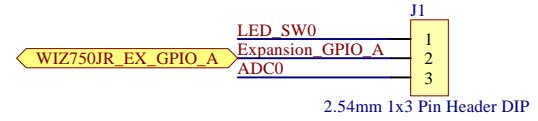
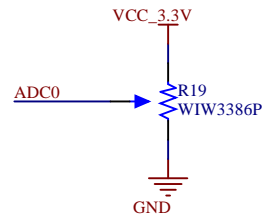
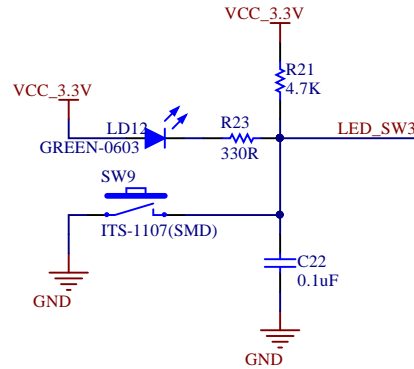
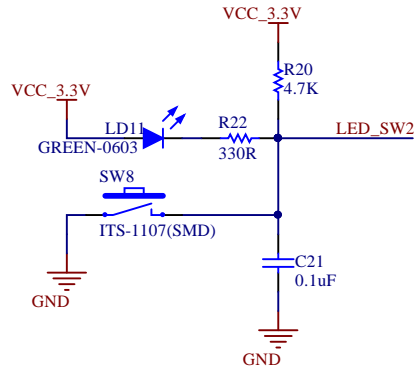
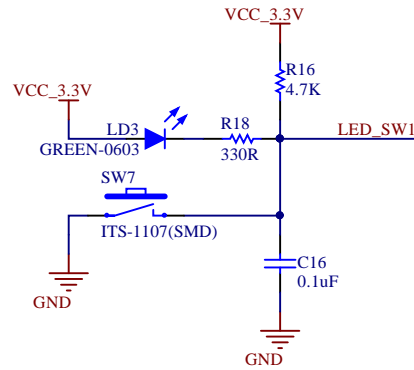
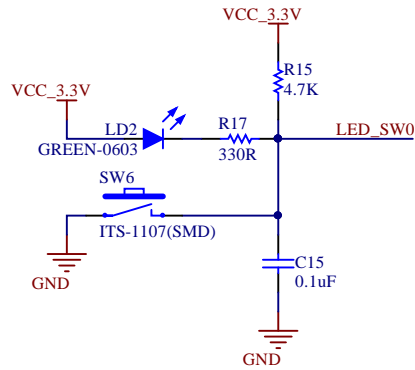


Title *			WIZnet Co., Ltd. 5F, Humax Village Hwangseaul-ro, Bundang-gu Seongnam-si, Gyeonggi-do South Korea	
Size: A4	Number:*	Revision:*		
Date: 2017-12-15	Sheet of			
Team: Team Module	Drawn By: Edward			



Title *			WIZnet Co., Ltd. 5F, Humax Village Hwangseaul-ro, Bundang-gu Seongnam-si, Gyeonggi-do South Korea
Size: A4	Number:*	Revision:*	
Date: 2017-12-15	Sheet of		
Team: Team Module	Drawn By: Edward		





J1, J2, J4, J5				
Pin No.	Digital I/O	Analog I/O	Depend on	
1-2	SHORT		OPEN	
2-3		SHORT		

Expansion GPIO

Title *			WIZnet Co., Ltd. 5F, Humax Village Hwangseaul-ro, Bundang-gu Seongnam-si, Gyeonggi-do South Korea		
Size: A4	Number:*	Revision:*			
Date: 2017-12-15	Sheet of				
Team: Team Module		Drawn By: Edward			