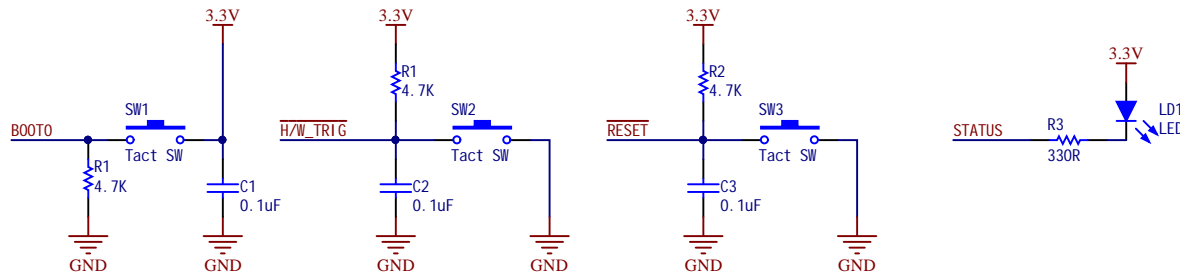


Circuit of System Pins.



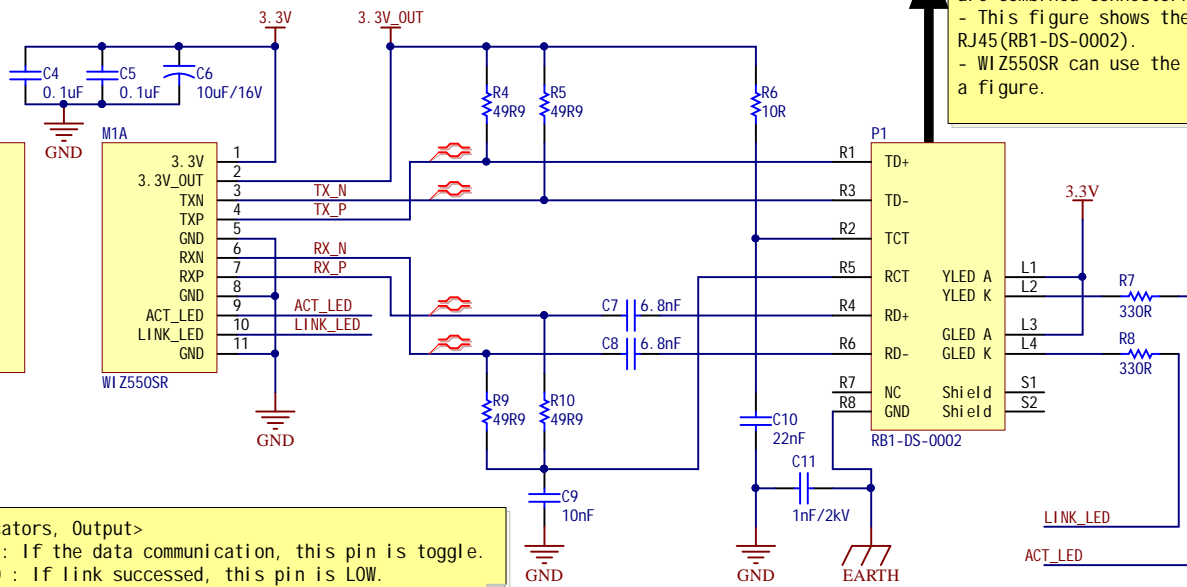
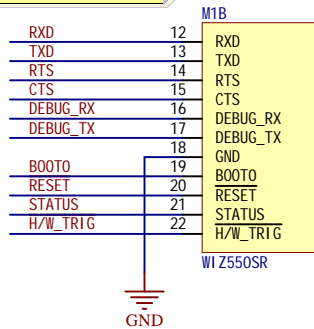
<BOOT0, Input>
 - LOW : Normal Mode.
 - If Reset set in the state HIGH : Boot Mode.

<H/W_TRIG, Input>
 - LOW : App Boot Mode.
 - HIGH : Normal Mode.

<RESET, Input>
 - LOW : Reset.
 - HIGH : Operation.

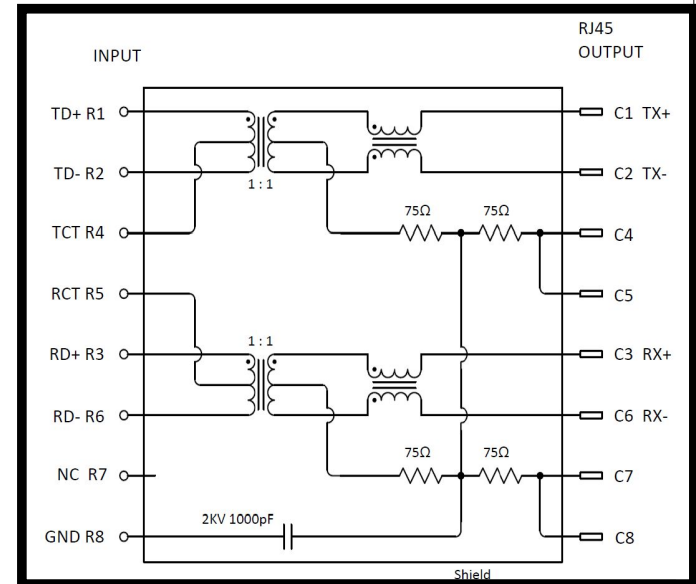
<STATUS, Output>
 - LOW : TCP Connect.
 - HIGH : TCP Disconnect.

<Data UART>
 - RXD : UART Recieve Pin.
 - TXD : UART Transmit Pin.
 - RTS : UART Request to Send Pin.
 - CTS : Clear to Send Pin.



<Debug Messege UART>
 - DEBUG_RXD : UART Recieve Pin.
 - DEBUG_TXD : UART Transmit Pin.

<PHY Indicators, Output>
 - ACT_LED : If the data communication, this pin is toggle.
 - LINK_LED : If link succeeded, this pin is LOW.



- Connector of this circuit was used, RJ45 and transformer are combined connector.
 - This figure shows the internal circuit of the RJ45(RB1-DS-0002).
 - WIZ550SR can use the RJ45 with integrated circuits, such as a figure.