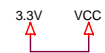
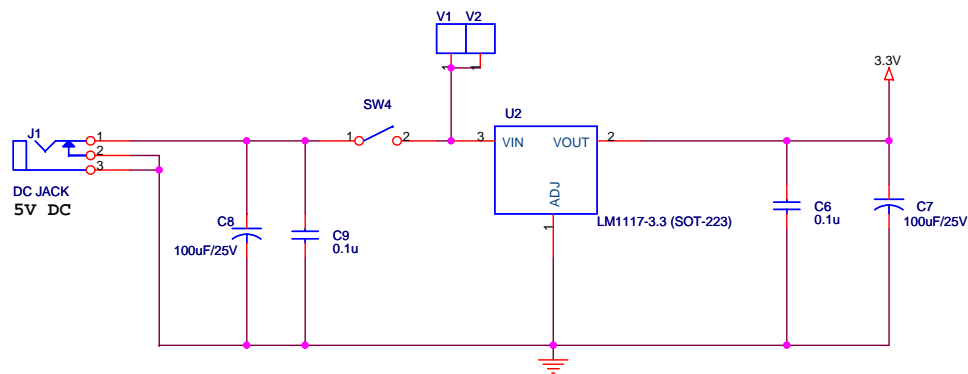
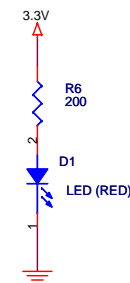
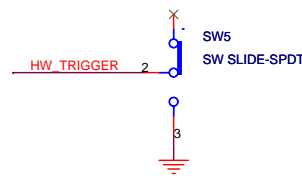
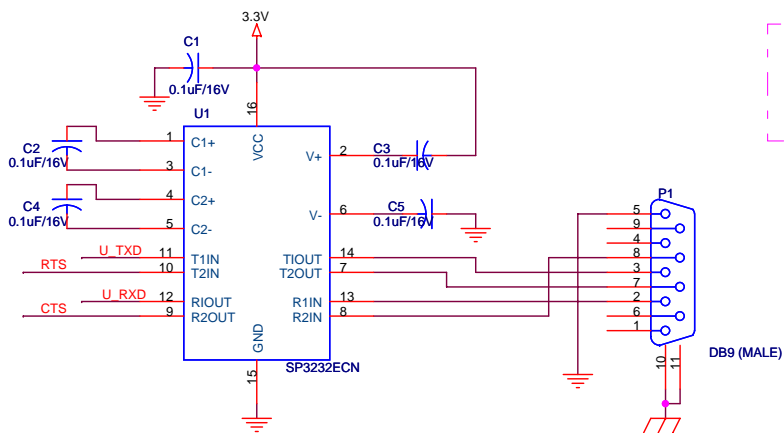


Do NOT leave the input pin(/RESET) as floating.
If it is not in use, it must be pulled-up,
otherwise the module may not work properly.



Title		
Serial to Ethernet EVB		
Size B	Document Number <Doc>	Rev 1.0
Date: Friday, April 03, 2009	Sheet 1	of 1