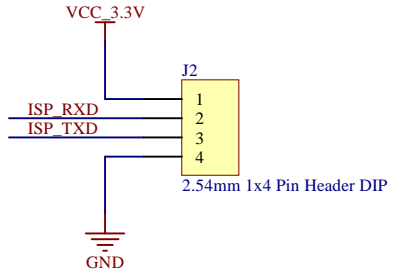
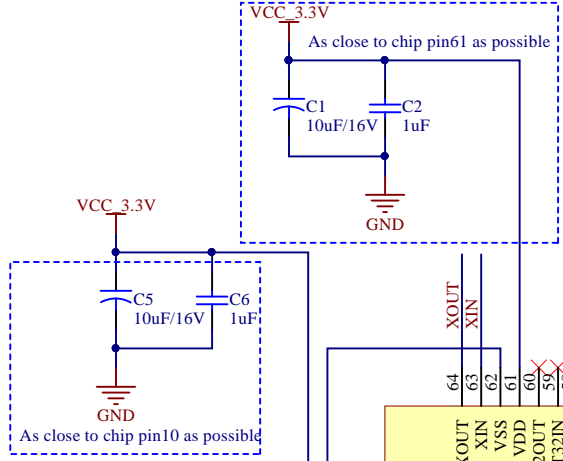
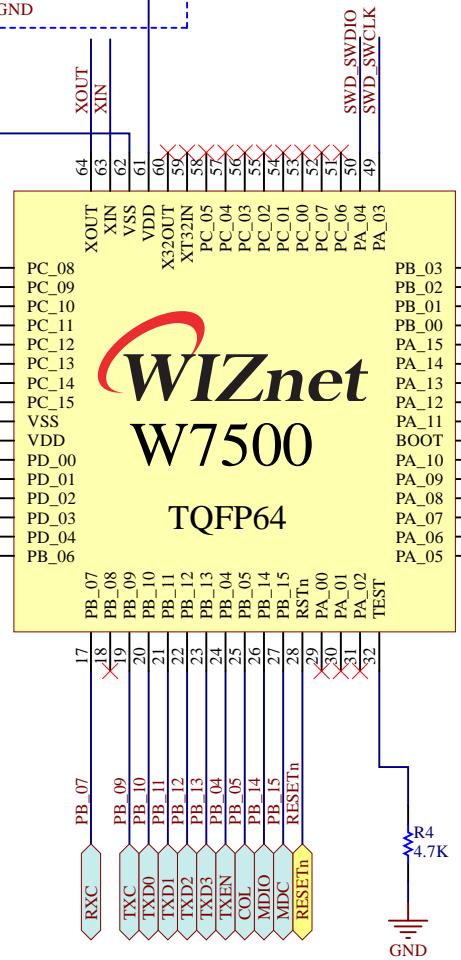
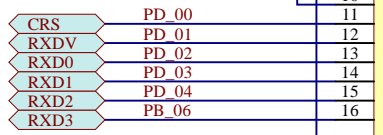


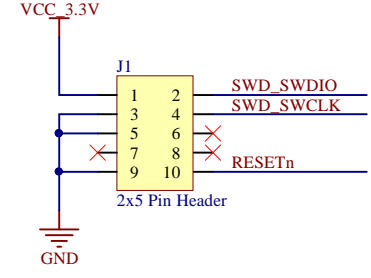
MAIN CLOCK



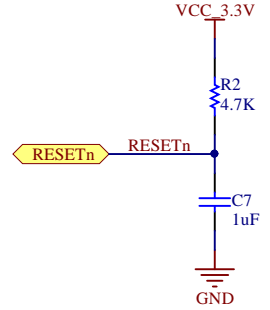
ISP UART2



MDIO,MDC is GPIO function setting
 PA_00 is PHY LINK check pin (PHY LINK indicate)
 PA_01(COL) function is must be controlled MCU.
 PA_02(WDI) function is use to watchdog IC.

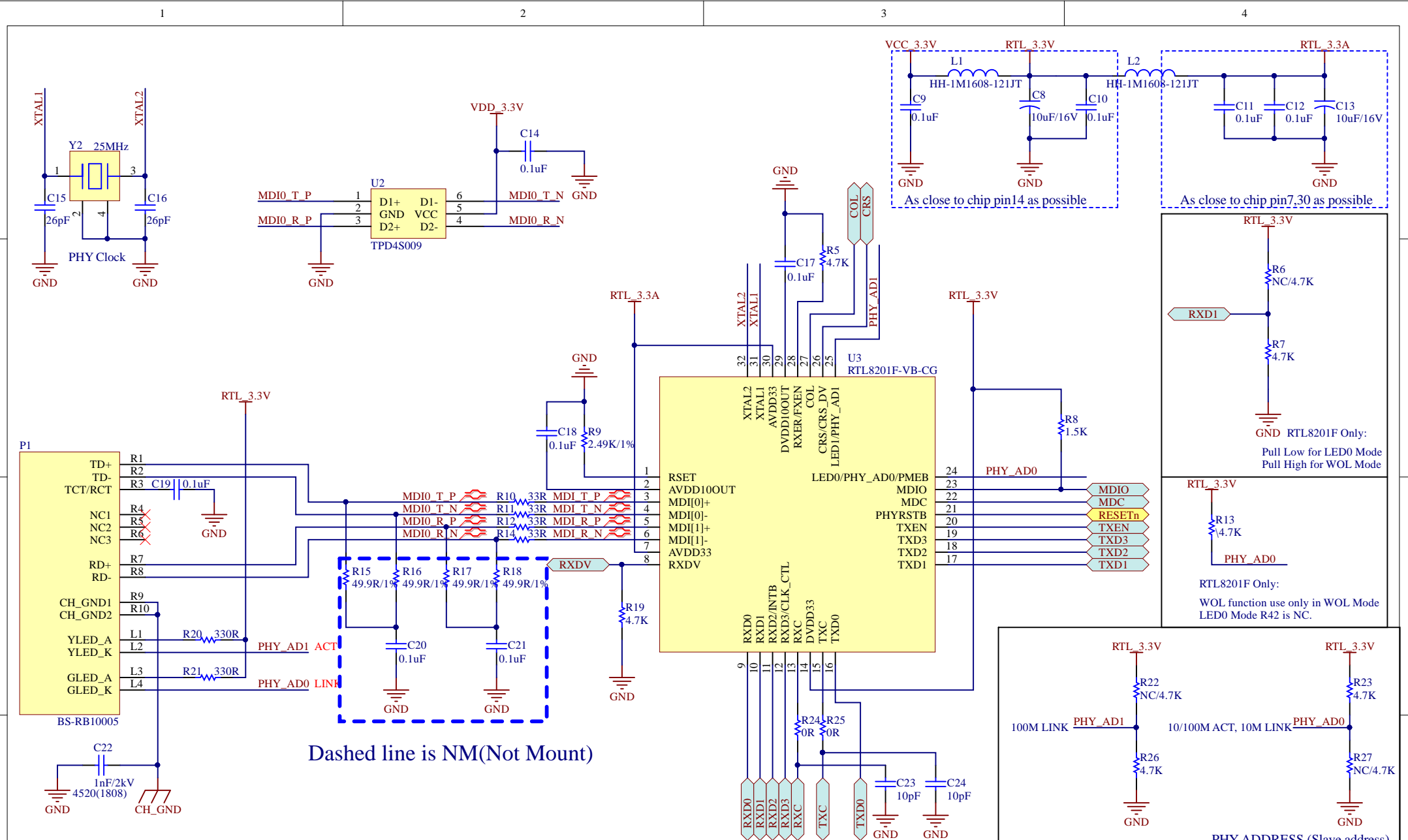


BOOT SW



RESET

Title			WIZnet Co., Ltd. 5F, Humax Village Hwangseaul-ro, Bundang-gu Seongnam-si, Gyeonggi-do South Korea	
Size: A4	Number:	Revision:		
Date: 2017-02-09	Sheet 1 of *			
Team: Team Wiki	Drawn By: Edward			



Title			WIZnet Co., Ltd. 5F, Humax Village Hwangseaul-ro, Bundang-gu Seongnam-si, Gyeonggi-do South Korea		
Size: A4	Number:	Revision:			
Date: 2017-02-09	Sheet2 of *				
Team: Team Wiki		Drawn By: Edward			

A
B
C
D

A
B
C
D

1 2 3 4

1 2 3 4

1 2 3 4

1 2 3 4